

PILOT SPRAY GUN
Service Sheet & List of Spare Parts

Type
59

CE
Conformity to
European Standards

Dear customer,

Now as you've brought home one of your favorite Pilot spray guns. We'd like to say a special 'thank you'. These precision-engineered tools have been designed to excel, making every spray job the work of a professional.

As you know Pilot stands for quality, reliability and safety, earned by 6 decades of experience and overwhelming customer satisfaction. We are certain we have met all safety requirements. Our products bear the identification plate in conformance to the CE ruling.

To facilitate easy understanding of the working procedures please refer to the detailed instruction manual.

Description

Type - 59 spray guns are easier to use than most spray guns. These lightweight gravity feed spray guns are suitable for production work on articles of medium or large sizes. They are ideal for spray-painting motorcar bodies, refrigerators, machinery, etc. Perfect balance, comfortable handle and trigger action makes them easy and non-tiring to operate. The spreader control valve on the left can easily control round to fan spray of pattern.

These gravity feed spray guns are supplied with a 0.57 lit. Gravity cup.

Important: These guns are not designed to be used with highly corrosive or highly abrasive coating materials. Violation may increase the need for thorough cleaning and /or the necessity for replacement of parts. If there is any doubt regarding the suitability of a specific material you may seek advice and /or submit a sample for test.

Training

Personnel should be given adequate training in the safe use and maintenance of this equipment. Training courses on all aspects of the equipment are available. For details contact your local representative. The instructions and safety precautions contained in this literature and the literature supplied with the coating material should be read and understood before the equipment is used.

Misuse

All spray guns project particles at high velocity and must never be aimed at any part of the body.

Never exceed the recommended safe working pressures for any of the equipment used. The fitting of non-recommended or non-original accessories or spare parts may create hazardous conditions.

Before dismantling the equipment for cleaning or maintenance, all pressures, air and material, must be isolated and released.

The disposal of non-metallic materials must be carried out in an approved manner. Burning may generate toxic fumes. The removal of waste solvents and coating materials should be carried out by an authorized local waste disposal service.

The materials used in the construction of this equipment are (bearing in mind the warning on Halogenated Hydrocarbons) solvent resistant enabling the equipment to be cleaned using gun washing machines. However, this equipment must not be left inside the gun washing machine for prolonged periods of time after the automatic cleaning cycle has been completed. The solvents used in the gun washing machine should be regularly checked to ensure that the equipment is not flushed through with contaminated material. Follow the recommendations of the machine manufacturer.

Installation

Important: To ensure that this equipment reaches you in first class condition, protective coatings, rust inhibitors, etc. have been used. Flush all equipment through with a suitable solvent before use to remove these agents from the material passages.

- The air supply line to the air intake connector (30). An air compressor installed should be close as possible to the gun and should be provided filtered and regulated air. Recommended air hose sizes up to 10 meters long (1/4" bore).
- Attach the gravity feed cup to the material inlet and ensure that the sealing washer is compressed.

Operation

Mix, prepare and strain the coating material to be sprayed according to the paint manufacturer's instructions. Use a lint free mesh to strain the material.

- Fill the gravity feed cup with the material. Do not overfill. Ensure that the vent hole in the cup lid is clear.
- Adjust the atomizing air pressure to 2.8 - 4.2 kgs/sq.cm. (40 to 60p.s.i.).
- It requires air about (8 - 10 c.f.m.) 225 - 300 liter per minute depending on the liquid to be sprayed.
- Close the needle adjusting screw by turning clockwise.
- Turn on the air at the source of supply and spray test area by turning the needle adjusting screw counter-clockwise until a full coat is obtained.

If the finish is too sandy and dry, reduce the viscosity of the coating material supply by turning the needle adjusting screw counter-clockwise.

Increasing or decreasing the atomizing air pressure can also correct both the above. The most efficient atomizing air pressure is the

lowest possible air pressure that will give the desired effect.

The gun should be held perpendicular to the spray surface at all times. Do not arc the gun as this produces an uneven coat of paint. The recommended spraying distance is 230mm (9").

Preventive Maintenance

Cleaning

- Turn off air supply and release pressure.
- Empty surplus coating material from cup and clean.
- Remove air cap and clean by immersing in solvent, brush or wipe clean. If any holes in the air cap are blocked use a toothpick or broom straw to remove the obstruction. Never use a steel wire or hard implement which will damage the air cap and result in a distorted pattern.

Lubrication

Lubricate all moving parts daily with a few drops of light oil and occasionally place a light coating of Vaseline on the needle spring. The packing may need to be oiled occasionally to keep them pliable.

Replacement of Parts

1) Needle Valve (10)

- Remove needle adjusting screw (13), needle spring (12) needle spring box (11) and needle valve (10). Replace any worn or damaged parts ensuring that the needle valve seats correctly in the nozzle then adjust packing with needle packing nut (9) so that the movement of the needle is not restricted.


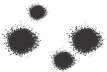



2) Packing Bush (8)

- Remove needle valve (10) as 1 above.
- Remove trigger (23) and link (19) by unswerving (21 & 22) & air valve locking nut (20).
- Remove needle packing nut (9) and packing bush (8). Replace any worn or damaged parts and re-assemble, reversing steps 1 and 2. Adjust packing so that the movement of the needle is not restricted.

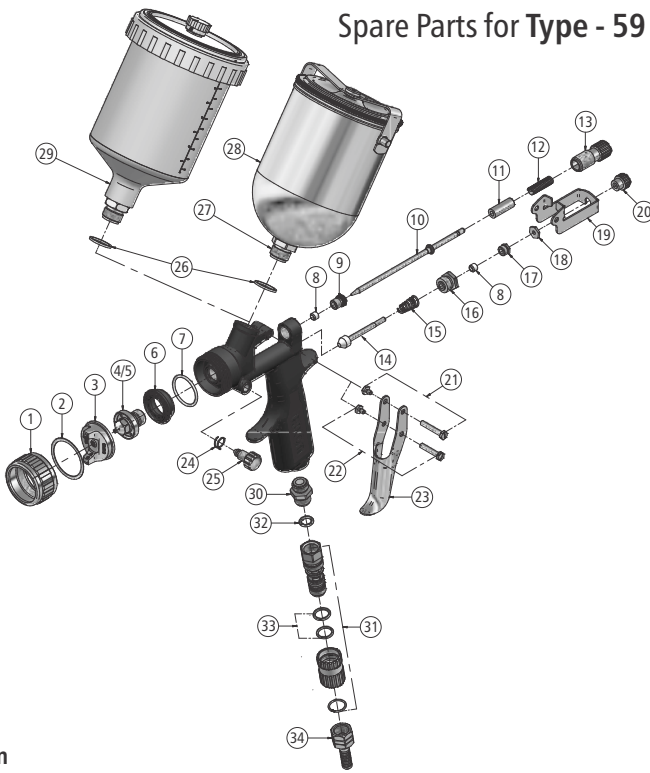
3) Air Valve Pin (14) Packing Bush (8)

- Remove needle valve (10) as 1 above.
- Remove air valve Locking nut (20), pull trigger (23) and swing link (19) away, unscrew air valve packing box (16) and remove air valve spring (15), air valve pin (14), Washer (17 & 18) and packing bush (8). Replace any worn or damaged parts and re-assemble reversing steps 3.

Service Checks - Troubleshooting

Fault	Cause	Remedy
Not spraying 	1. No pressure at the gun 2. Needle Adjusting Screw not properly adjusted.	1. Check air supply 2. Adjust
Uneven spray 	1. Material build up on air cap/nozzle 2. Coating material flow or viscosity incorrect	1. Clean air cap / nozzle 2. Adjust needle adjustment screw, or Reduce viscosity
Intermittent spray 	1. Insufficient material in cup 2. Gun material passage blocked 3. Loose or damaged nozzle 4. Needle sealing damage.	1. Fill cup 2. Clean 3. Tighten or replace 4. Replace
Fluid leakage from packing nut 	1. Needle packing damage	1. Replace packing.
Dripping from the nozzle 	1. Damaged nozzle or needle 2. Foreign substances between nozzle and needle prevent sealing	1. Replace 2. Clean needle and nozzle in thinner or Replace.

Spare Parts for Type - 59 Spray Gun



Type 59 Spray Gun

List of Spare Parts Type 59

Sr. No.	Description	Code No.
	Spray Gun Type - 59 With S.S. Top Feed Cup 0.57Litre	590005
	Spray Gun Type - 59 With Plastic Top Feed Cup 0.57Litre	59000N
1	Air Cap Locking Nut	59001
2	Air Cap Washer	59002
3	Air Cap	59003
4	M.S. Nozzle	59004
5	S.S. Nozzle	59005
6	Air Baffle Ring	59007
7	Air Locking "O" Ring	59008
8	Packing Bush	59010
9	Needle Packing Nut	59011
10	Needle Valve	59012
11	Needle Spring Box	59013
12	Needle Spring	59014
13	Needle Adjusting Screw	59015
14	Air Valve Pin	59016
15	Air Valve Spring	59017
16	Air Valve Packing Box	59018
17	Air Valve Packing Box Washer	59019
18	Air Valve Washer	59020

Sr. No.	Description	Code No.
19	Link	59021
20	Air Valve Locking Nut	59022
21	Fulcrum Screw	59023
22	Trigger & Link Screw	59024
23	Trigger	59025
24	Spreader Control Spring	59026
25	Spreader Control Valve	59027
26	Nylon Cup Washer	59028A
27	Cup Bottom Part	59028B
28	S.S. Top Feed Cup 0.57 Litre	59028
29	Plastic Top Feed Cup 0.57 Litre	59029
30	Air Intake Connector	59030
31	Air Control Valve	59031
32	Air Intake O Ring	59031A
33	Air Control Body "o" Ring	59031D
34	Hose Coupling	59032
35	M.S. Repair Kit	59080M
36	S.S. Repair Kit	59080S

Accessories

* This Set Contains An Air Cap, Nozzle, Needle, Air Valve Pin & Packing.

@ Please Mention Nozzle Size While Ordering Spare Parts.

Manufactured by :

Manik Machinery Manufacturers Pvt. Ltd.

21/23, Sona Udyog, P. P. Road, Andheri (East), Mumbai 400 069. MH. INDIA

Tel.: +91 22 660 47 000 • E-mail: info@pilotindia.com • www.pilotindia.com