



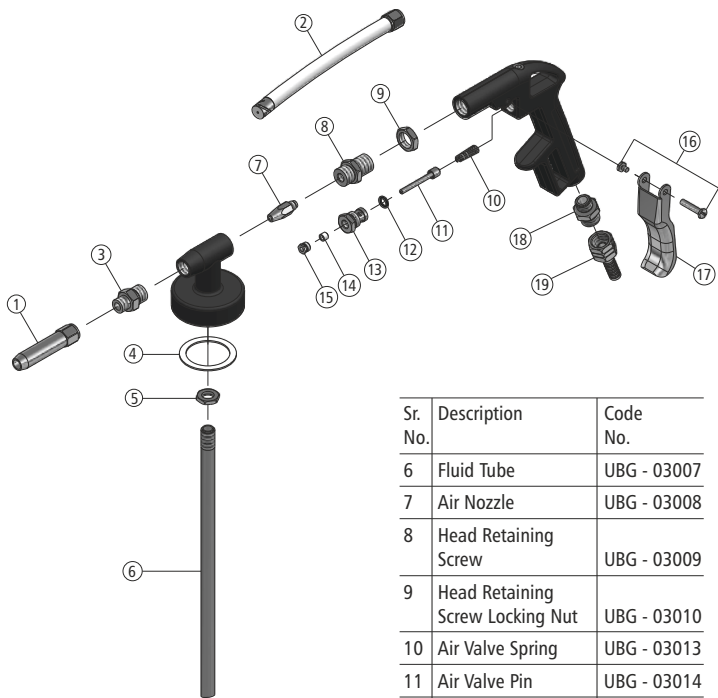
PILOT
POWER

UBG 03



Service Sheet & List of Spare Parts

Spare Parts for Under Body Gun UBG 03



Sr. No.	Description	Code No.
	Under Body Gun - UBG 03	UBG 03000
1	Nozzle	UBG - 03001
2	Plastic Nozzle Complete	UBG - 03002
3	Nozzle Connector	UBG - 03003
4	Cup Packing Washer	UBG - 03005
5	Fluid Tube Retaining Nut	UBG - 03006

Sr. No.	Description	Code No.
6	Fluid Tube	UBG - 03007
7	Air Nozzle	UBG - 03008
8	Head Retaining Screw	UBG - 03009
9	Head Retaining Screw Locking Nut	UBG - 03010
10	Air Valve Spring	UBG - 03013
11	Air Valve Pin	UBG - 03014
12	"O" Ring	UBG - 03015
13	Air Valve Body	UBG - 03016
14	Packing Bush Set	UBG - 03017
15	Air Valve Body Packing Washer	UBG - 03018
16	Trigger Screw	UBG - 03019
17	Trigger	UBG - 03020
18	Air Intake Connector	UBG - 03021
19	Hose Coupling	UBG - 03022

1. Please Read Prior to Use

- Read instructions especially the safety instructions before commissioning.
- If while unpacking you notice any transport damages, notify your supplier and do not use the air tool.
- Take to a proper collection point and dispose the packing in an environment friendly manner.
- Keep instructions for future use.
- If you lend or sell this air tool make sure that the instructions go along with it.

2. Specified Conditions of Use

The Under Body Gun (UBG 03) is used for under coating and cavity coating. The small diameter flexible spray hose allows access to areas, which are difficult to reach. The spray nozzle provides optimal distribution of the spray media.

3. Safety Instructions

Protect yourself and your environment by taking suitable precautions so as to avoid accidents.

- Do not use Under Body Gun for any purpose it is not intended for
- Ensure good ventilation of the work area.
- Wear protective clothing, especially respiratory gear, safety glasses and gloves
- Do not exceed the maximum working pressure .
- Never direct the spray guns against other human beings or animals.
- Keep air tools out of children's reach.
- Take care to avoid contact of under coating, cavity coating and de-greasing agents with eyes and skin.
- Connect to pressurized air supply only with a hose coupling.
- Working pressure must be set by means of a filter/pressure regulator.
- Use only pressurized air as energy source, no gases.
- Disconnect from air source before servicing.
- Take care that the spray media is collected for an environment friendly disposal.

5. Care and Maintenance

When work is completed, clean the Under Body Gun, suction tube and the nozzle/spray hose in particular with a suitable cleaning agent.

We recommend to attach a cup or cartridge filled with cleaning agent, and

to spray it at low pressure. Spray into a container to collect the cleaning agent, avoiding unnecessary vapors. After each cleaning, the valve pin and trigger pin must be oiled. Store your air tools in dry rooms only.

6. Technical Specifications

Air consumption	Approx 180 l/min
Working pressure	4-6 bar
Nozzle dia.	Ø 7 mm
Weight	420 gms.

Manufactured by:

Manik Radiators Pvt. Ltd.

Shed No.3, Plot No. 126/1 2B, Village Horale, Khopoli Pen Road,
Khalapur, Raigad 410203, Maharashtra, INDIA Tel.: +91 22 660 47 000
E-mail: info@pilotindia.com • www.pilotindia.com