



**PILOT**  
POWER

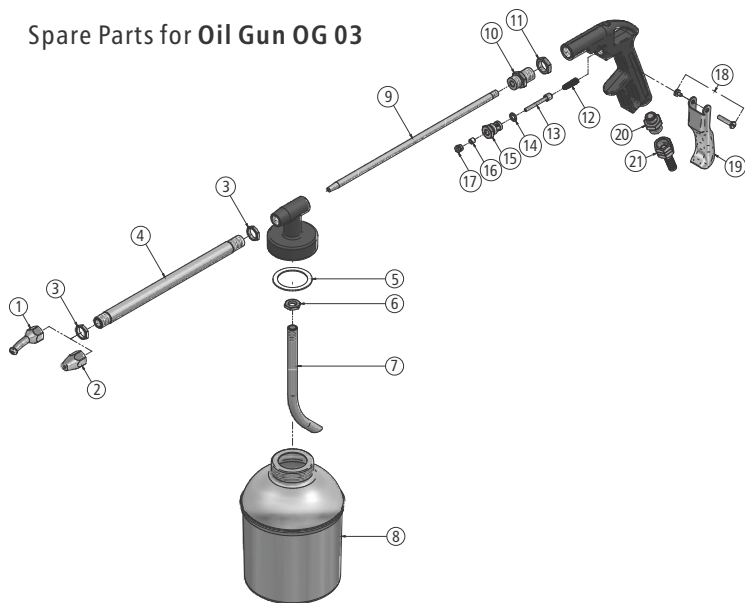


OG 03



Service Sheet  
& List of Spare Parts

# Spare Parts for Oil Gun OG 03



Sr. No.	Description	Code No.
	Oil Gun - OG 03	OG 03000
1	Nozzle Bend	OG - 03001
2	Nozzle Straight	OG - 03002
3	Locking Nut	OG - 03003
4	Oil Tube	OG - 03004
5	Cup Packing Washer	OG - 03006
6	Fluid Tube Retaining Nut	OG - 03007
7	Fluid Tube	OG - 03008
8	Suction Feed Cup	OG - 03009
9	Air Tube	OG - 03010
10	Head Retaining Screw	OG - 03011
11	Head Retaining Screw Locking Nut	OG - 03012

Sr. No.	Description	Code No.
12	Air Valve Spring	OG - 03015
13	Air Valve Pin	OG - 03016
14	"O" Ring	OG - 03017
15	Air Valve Body	OG - 03018
16	Packing Bush Set	OG - 03019
17	Air Valve Body Packing Washer	OG - 03020
18	Trigger Screw	OG - 03021
19	Trigger	OG - 03022
20	Air Intake Connector	OG - 03023
21	Hose Coupling	OG - 03024

## 1. Please Read Prior to Use

- Read instructions before commissioning, especially the safety instructions.
- If while unpacking, you notice any transport damages, notify your supplier and do not use the air tool.
- Take to a proper collection point and dispose off the packing in an environment friendly manner.
- Keep instructions for future use.
- If you lend or sell this air tool, make sure that the instructions go along with it.

## 2. Specified Conditions of Use

The Oil Gun (OG 03) is suitable for spraying, de-greasing and cleaning agents, oils and coatings.

## 3. Safety Instructions

Protect yourself and your environment by taking suitable precautions so as to avoid accidents.

- Do not use Oil Gun for any purpose it is not intended for.
- Ensure good ventilation of the work area.
- Wear protective clothing, especially respiratory gear, safety glasses and gloves.
- Do not exceed the maximum working pressure .
- Never direct the Oil Gun towards / against other human beings or animals.
- Keep air tools out of children's reach.
- Take care to avoid contact of under coating, cavity coating and de-greasing agents with eyes and skin.
- Connect to pressurised air supply only with a hose coupling.
- Working pressure must be set by means of a filter/pressure regulator.
- Use only pressurised air as energy source, no gases.
- Disconnect from air source before servicing.
- Take care that the spray media is collected for an environment friendly disposal.

## 4. Initial Operation

Setting the correct working pressure: Connect the Oil Gun with hose coupling to a pressurised air source (max pressure 6 kgs/sq.cm)

Spray gun: Start operation by pulling the trigger. Turn the nozzle until aspiration is optimal.

## 5. Care and Maintenance

When work is completed, clean the Oil Gun with a suitable cleaning agent.

We recommend to attach a cup or cartridge filled with a cleaning agent and spray it at a low

pressure. Spray into a container to collect the cleaning agent, avoiding unnecessary vapours. After each cleaning, the valve pin and trigger pin must be oiled. Store your air tools in dry rooms only.

## 6. Technical Specifications

Air consumption	Approx 200 l/min
Working pressure	4-6 bar
Nozzle dia.	2.9 mm
Weight	535 gms.

Manufactured by:

### **Manik Radiators Pvt. Ltd.**

Shed No.3, Plot No. 126/1 2B, Village Horale, Khopoli Pen Road,  
Khalapur, Raigad 410203, Maharashtra, INDIA Tel.: +91 22 660 47 000  
E-mail: [info@pilotindia.com](mailto:info@pilotindia.com) • [www.pilotindia.com](http://www.pilotindia.com)