

PILOT
POWER

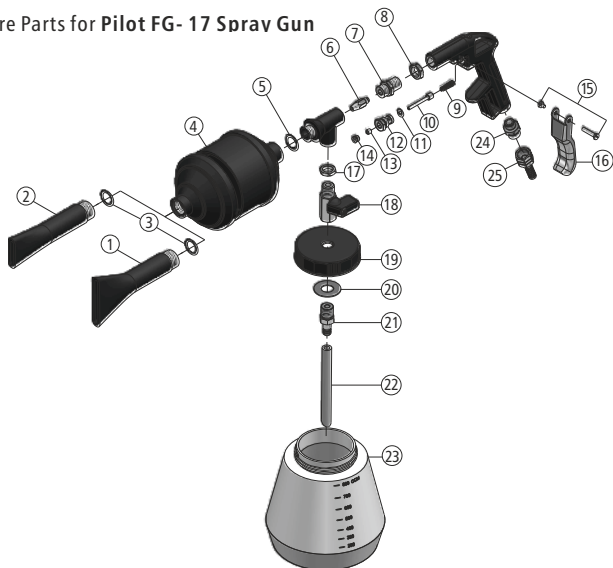


FG-17

Foam Gun

Service Sheet
& List of Spare Parts

Spare Parts for Pilot FG- 17 Sprav Gun



Sr. No.	Description	Code No.	Sr. No.	Description	Code No.
	Foam Gun - FG 17	FG - 17000	14	Air Valve Packing Box Washer	FG - 17017
1	Nozzle Big	FG - 17001	15	Trigger Screw	FG - 17018
2	Nozzle Small	FG - 17002	16	Trigger	FG - 17019
3	Nozzle "O" Ring	FG - 17003	17	Fluid Control Valve Locking Nut	FG - 17020A
4	Foam Housing	FG - 17004	18	Fluid Control Valve	FG - 17020
5	Manifold "O" Ring	FG - 17005	19	Container Cover	FG - 17021
6	Air Nozzle	FG - 17007	20	Connecting Nipple Washer	FG - 17022
7	Head Retaining Screw	FG - 17008	21	Connecting Nipple	FG - 17023
8	Head Retaining Screw Locking Nut	FG - 17009	22	Suction Tube	FG - 17024
9	Air Valve Spring	FG - 17012	23	Container Complete	FG - 17025
10	Air Valve Pin	FG - 17013	24	Air Intake Connector	FG - 17026
11	"O" Ring	FG - 17014	25	Hose Coupling	FG - 17027
12	Air Valve Body	FG - 17015			
13	Packing Bush Set	FG - 17016			

1. Please Read Prior to Use

Please read all instructions before commissioning, especially the safety instructions.

- If while unpacking, you notice any transport damages, notify your supplier and do not use the tool. Take it to an

authorized collection point to return the product.

- Keep instructions for future use.
- If you lend or sell this air tool, make sure that the Instruction sheet go along with it.

2. Specified Conditions of Use

The PILOT Power Foam Gun will generate foam using most surfactant-based products. Interior shampoos and car wash

soaps can be diluted as per label instructions and used in the Foam Gun. Typical dilutions are 60 ml. per 1lit.

3. Safety Instructions

- Protect yourself and your environment by taking suitable precautions so as to avoid accidents.
- Wear protective clothing, especially a protection hood.
- Use in well-ventilated area
- Do not use with acidic, flammable or combustible products.
- Keep air tools out of children's reach.
- Never direct the Foam Gun against human beings or animals.
- Connect to pressurized air supply only with a hose coupling.
- Working pressure must be set by means of a filter/pressure regulator.
- Requires a minimum air pressure of 60 to 90 psi, constant, for Optimum performance. DO NOT EXCEED 100 psi.
- Use only pressurized air as energy source; avoid using gases. Disconnect from air source before servicing.

4. Initial Operation

- Remove cup by turning clockwise. Add 800ml of water to the PILOT Power Foam Gun cup. Pour cleaner concentrate into the Foam Gun cup and fasten cup by turning anticlockwise. Gently mix.
- Connect Foam Gun to a suitable compressor or pressurized air source. Use a flexible air hose fitted with a hose coupling.
- Set the required air pressure by means of a filter/pressure regulator.
- Higher the air pressure, greater the foam. Greater foam will also use more product faster.
- Use the fluid control on the manifold to set the fluid control.
- FOR INTERIOR CARPET OR SEATS: Pre-vacuum areas to be cleaned. Using

desired air pressure, apply foam to carpet or seat, brush into the fabric. Next, vacuum or towel dry.

- FOR EXTERIORS: Use desired air pressure and blow foam onto the surface. Do not allow foam to dry. Use

a wash mitt to clean the area, and then rinse with water.

- Start operation by pulling the gun's trigger.
- The foam media is now taken in and sprayed onto the selected surface.

5. Care and Maintenance

- Observance of the maintenance instructions given here will ensure a long service life and trouble-free operation of this quality product.

- Avoid dropping the gun on the floor. Disconnect when not being used.

Turn Fluid Control Valve to the horizontal position after use to avoid dripping from the tip

After use, run air and clear water through the Foam Gun to eliminate remaining product in the foam attachment.

- In case, Foam Gun is not producing foam, check the following

> Ensure that the foam media is thin.

> Remove foam attachment and rinse thoroughly. Attachment may be clogged.

> Check to see if product has foaming capabilities.

- Always disconnect from air supply when servicing. For a continuous trouble-free operation the Foam Gun must be thoroughly cleaned after each use. Periodically apply a few drops of oil to the Air Valve Pin. Store your Air Tools in dry rooms only..

6. Technical Specifications

ITEM CODE	FG-17
Cup capacity (ml)	800
Required Pressure (kgs/cmsq)	5-7
Air consumption of rated Pressure lit/min (c.f.m.)	340-424 (12-15)
Material output (test liquid: water) (cc/min)	1600
Weight of the gun (gms)	580

Manufactured by: **Manik Radiators Pvt. Ltd.**

Shed No.3, Plot No. 126/1 2B, Village Horale, Khopoli Pen Road,
Khalapur, Raigad 410203, Maharashtra, INDIA Tel.: +91 22 660 47 000

E-mail: info@pilotindia.com • www.pilotindia.com