

PILOT
POWER

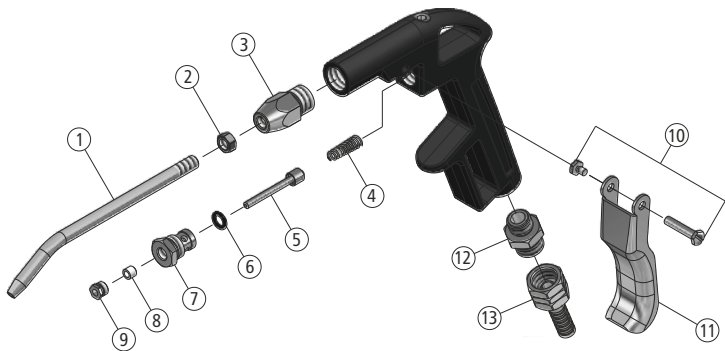
AG-03



CE
Conformity to
European Standards

Service sheet & list of spare parts

Spare Parts for AIR GUN AG-03



Sr. No.	Description	Code No.	Sr. No.	Description	Code No.
	Air Gun - AG 03	AG 03000	8	Packing Bush Set	AG - 03010
1	Extension Nozzle	AG - 03001	9	Air Valve Body Pkg Washer	AG - 03011
2	Nut	AG - 03002	10	Trigger Screw	AG - 03012
3	Nozzle	AG - 03003	11	Trigger	AG - 03013
4	Air Valve Spring	AG - 03006	12	Air Intake Connector	AG - 03014
5	Air Valve Pin	AG - 03007	13	Hose Coupling	AG - 03015
6	"O" Ring	AG - 03008			
7	Air Valve Body	AG - 03009			

1. Please Read Prior to Use

- Read instructions before commissioning, especially the safety instructions.
- If while unpacking you notice any transport damages, notify your supplier and do not use the air tool.
- Take to a proper collection point and dispose the packing in an environment friendly manner.
- Keep instructions for future use.
- If you lend or sell this air tool make sure that the instructions go along with it.

2. Specified Conditions of Use

This Air Gun is a handy air-powered tool which can be utilized for the effective removal of dust, dirt, and chips to blow moisture out of joints and crevices before painting, to clean gasoline and oil lines, to clean machines moulds, foundries and for numerous other purposes.

3. Safety Instructions

Protect yourself and your environment by taking suitable precautions so as to avoid accidents.

- Do not use the Air Gun for any other purpose that it is not intended for.
- Ensure good ventilation of the work area.
- Wear protective clothing, especially safety glasses and gloves.
- Do not exceed the maximum working pressure .
- Never direct the Air Gun towards /against other human beings or animals.
- Keep air tools out of children's reach.
- Connect to pressurized air supply only with a hose coupling.
- Working pressure must be set by means of a filter/pressure regulator.
- Use only pressurized air as energy source, avoid using gases.
- Disconnect from air source before servicing.

4. Initial Operation

1. Connect Air Gun to a suitable compressor or pressurized air source. Use a flexible air hose fitted with a hose coupling.
2. Start operation by pulling the gun's trigger.
3. The pressurised air is now taken in and blown on to the selected surface.

5. Technical Specifications

Air consumption	Approx 212 l/min
Working pressure	3-4 kg/cm ²
Nozzle dia	Ø 3 mm
Weight	230 gms.

Manufactured by:

Manik Radiators Pvt. Ltd.

Shed No.3, Plot No. 126/1 2B, Village Horale, Khopoli Pen Road,
Khalapur, Raigad 410203, Maharashtra, INDIA Tel.: +91 22 660 47 000
E-mail: info@pilotindia.com • www.pilotindia.com